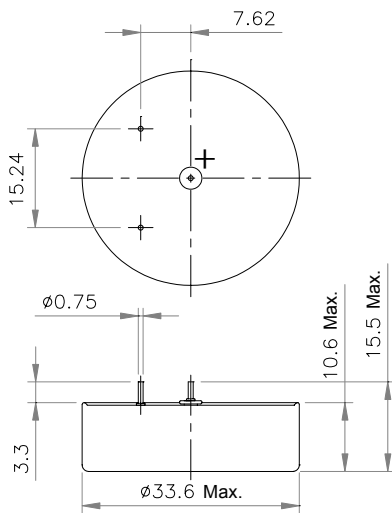
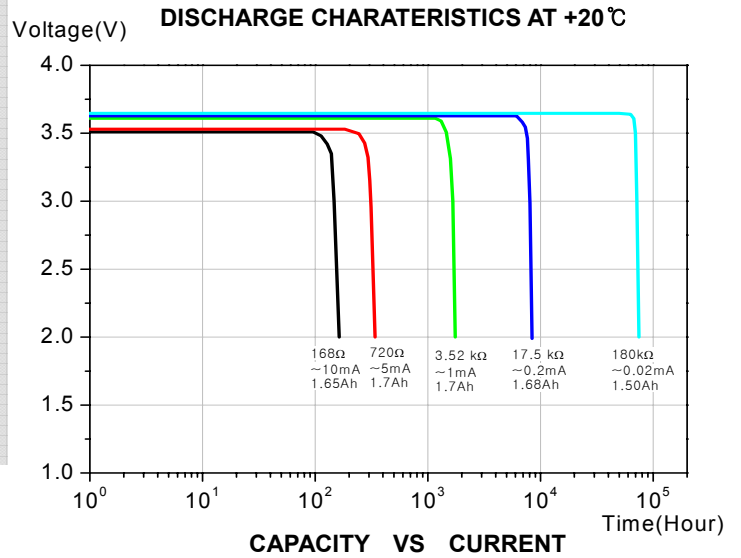


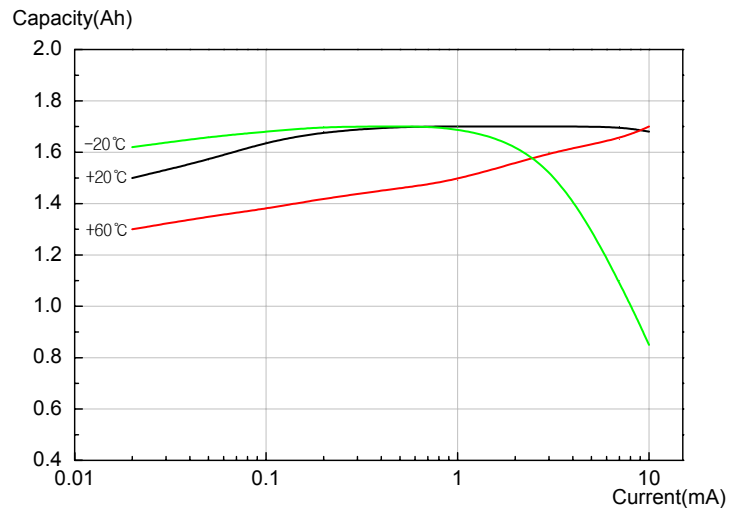
**SPECIFICATIONS**

(Typical values stored at 20°C for one year)

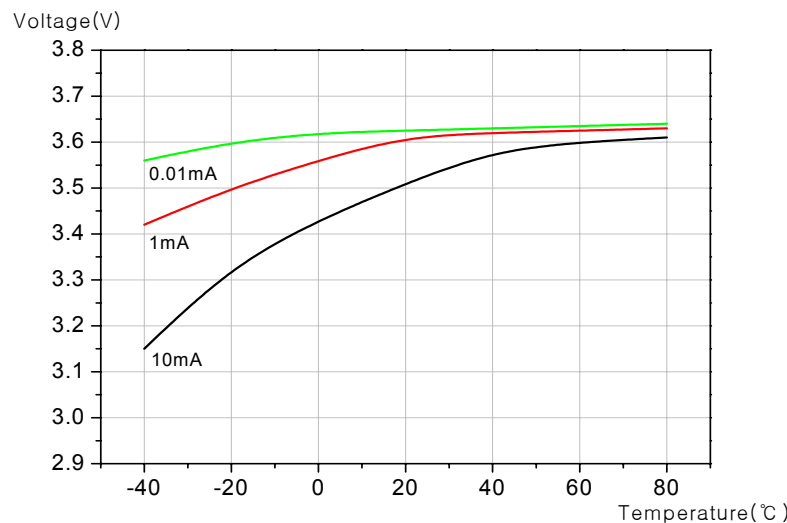
|   |                    |
|---|--------------------|
| Nominal Capacity<br>(at 1mA/20°C/68°F/2.0V Cut-Off) | 1.7Ah              |
| Nominal Voltage                                     | 3.6V               |
| Maximum Continuous Current                          | 10mA               |
| Operating Temperature Range                         | -55 ~ 85°C         |
| Weight  | 24 g               |
| Volume  | 8.2cm <sup>3</sup> |



**DIMENSIONS IN MM**



**OPERATING VOLTAGE**



Available Terminal Type: 3 AX Type 3.3mm and 5.5mm