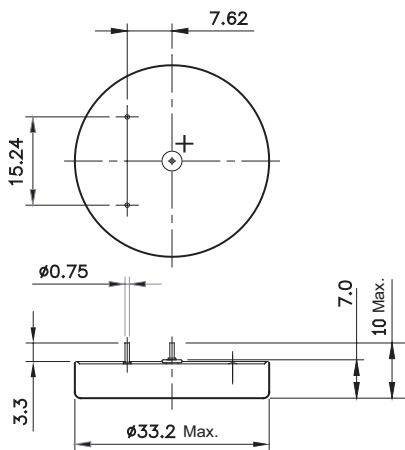
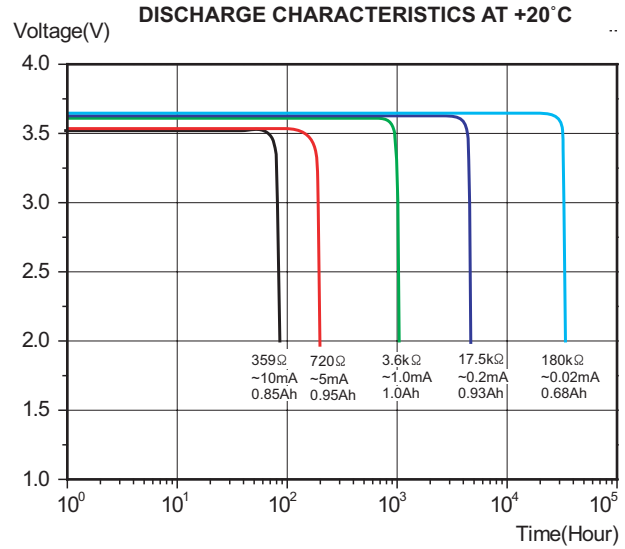
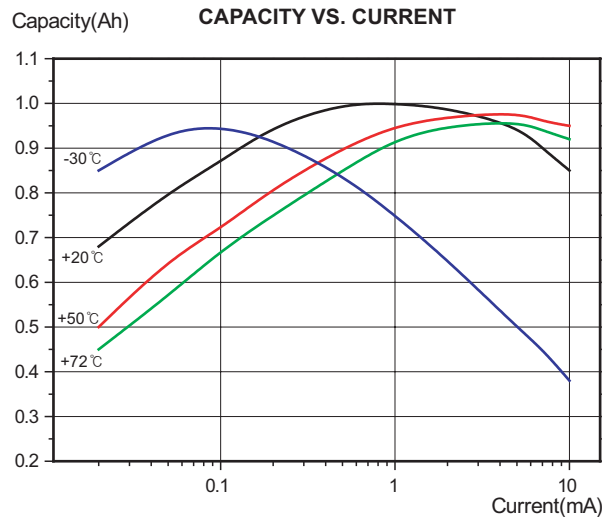


SPECIFICATIONS	
(Typical values stored at 20°C for one year)	
Nominal Capacity	1.0Ah
(at 1mA/20°C/68°F/2.0V Cut-Off)	
Nominal Voltage	3.6V
Maximum Continuous Current	10mA
Operating Temperature Range	-55~85°C
Weight	19.6g
Volume	5.6cm <sup>3</sup>
UL Approval	MH28122



DIMENSIONS IN MM



Available Terminal Type :  
3 AX Type 3.3 mm and  
5.5 mm

